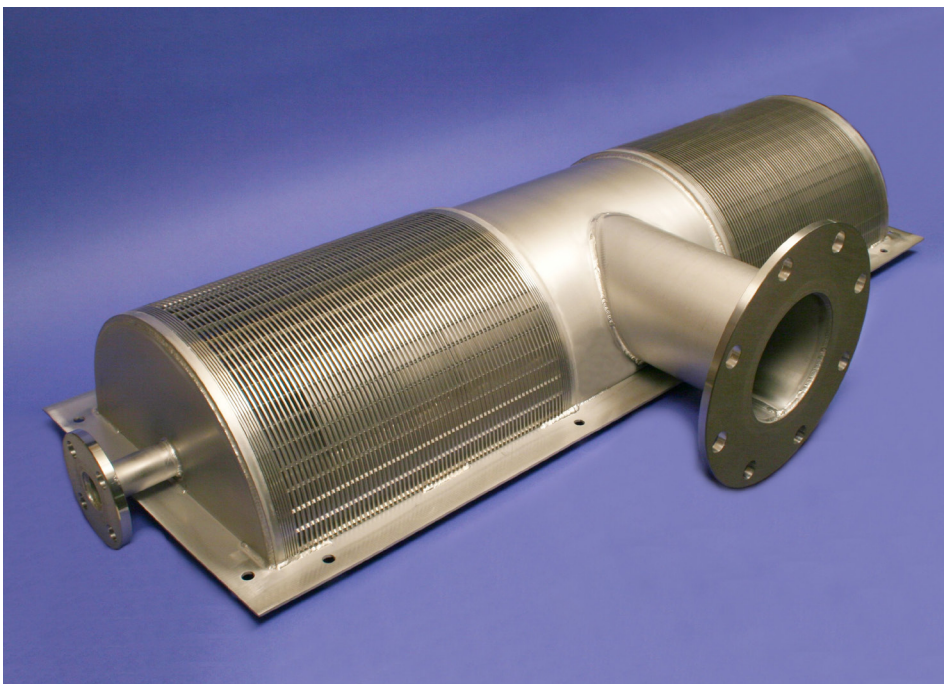


Passive Half Intake Screens – Proven technology for shallow water resources



Based on the design of Johnson Screens' passive intake screen systems, the patent half screen intake system provides uninterrupted, environmentally safe water withdrawal from lakes, rivers and oceans. The half screen intake system allows for the screen to be used in half the operational depth of water of the traditional passive intake screen system.

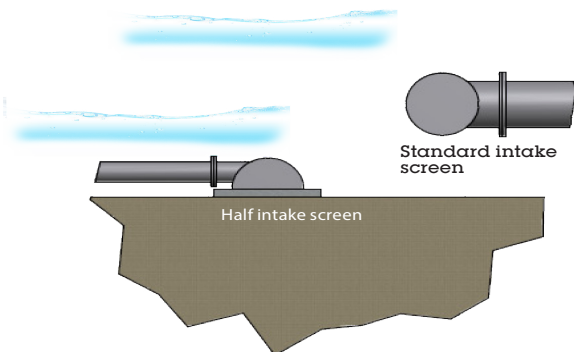
Design features include:

- Low profile – half the water depth needed
- Hydroburst cleaning system option
- Passive intake screen – no maintenance
- Vee-Wire construction

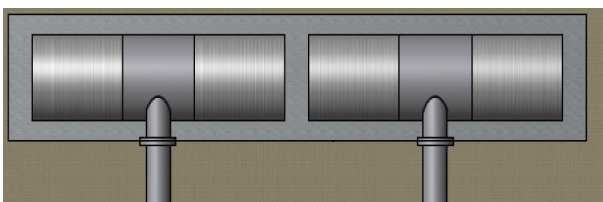
As water demands expand for cities and towns, water resources that previously were harder to withdraw from due to their shallow depth have now become a more viable option.

The general rule-of-thumb for proper intake screen depth has been to allow a half diameter of operational depth clearance from top and bottom, to prevent silt from being sucked up from the bottom and creating a vortex on the top of the water.

- Sits on a concrete pad and eliminates half the depth needed for the same flow.
- Functions identically to the standard Johnson Screens passive intake screen system.
- Uses the same control of flow distribution, with the patented multiple flow modifier design and Hydroburst system to keep the screen surface clean of debris.
- Standard sizes range from 1/2T - 12HC to 1/2T - 96HC intake screens, and are typically applied in pairs.



The half screen intake system is able to operate at half the water depth of traditional intake screen systems



The half screen intake sits on a concrete pad and eliminates half the depth needed for the same flow

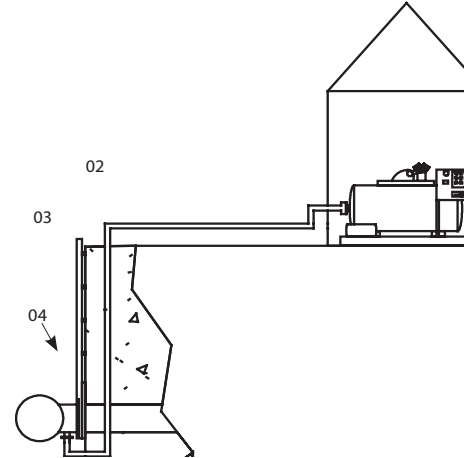
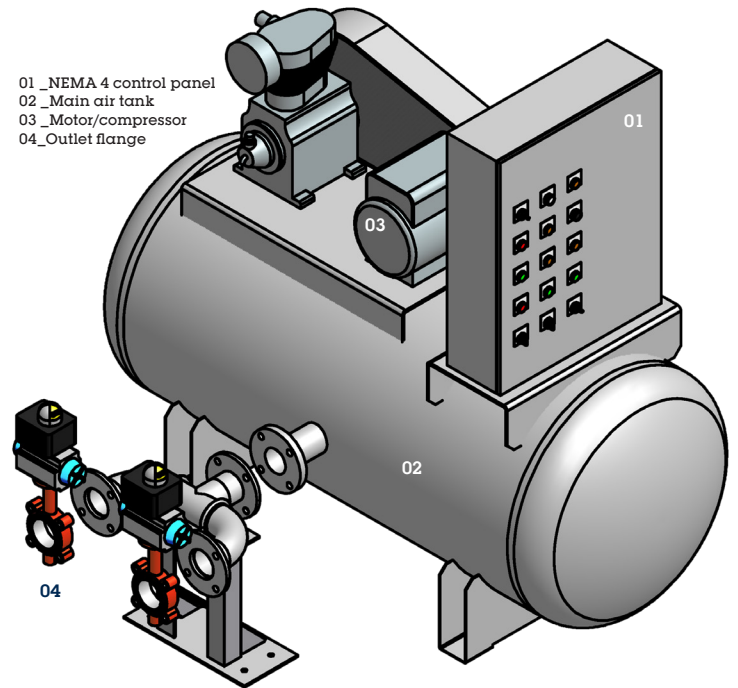
Typical Hydroburst air backwash cleaning system

Hydroburst Maximizes Intake System Efficiency

When debris in the water is high, the Hydroburst system provides fast and effective cleaning of the screen cylinders.

- Air volume is precisely matched to the intake screen cylinder size for maximum delivery.
- Measured air bursts force debris away and scour the screen surface for highly effective cleaning. A specially designed manifold distributes air inside the screen cylinder for optimal performance.

Varieties of controls are available, including manual, automatic activation on headloss, and timed activation.



01_Hydroburst system cleaning
 02_The Hydroburst is designed for a specific distance and depth of screen
 03_Optional intake screen rail
 04_ABW connection can also be on top of the screen

Johnson Screens Industrial and Architectural Screens

North and South America
 Phone +1 651 636 3900
info.us@johnsonscreens.com

Europe, Middle East & Africa
 Phone +3 3 23 75 05 42
info.fr@johnsonscreens.com

Asia Pacific
 Phone +61 7 3867 5555
info.au@johnsonscreens.com

johnsonscreens.com