



# ULTRA LOW WASTE FILTER

SIMPLE. RELIABLE. FILTRATION.

ULTRA LOW WASTE  
ULTRA LOW ENERGY  
SIMPLE & AFFORDABLE



# Finally, a wastewater filter that works to your advantage

We get it. You're not a large municipality or major industrial user, but you still have treatment challenges. Most likely this means working within a tight capital and operational budget while still needing to meet permit requirements. Just as important, you may be lacking a full-time, dedicated O&M staff.

## Here's your safe, green solution

The AquaPyr® Ultra Low Waste Filter is a gravity driven, continuous-feed pile cloth media filter designed specifically for smaller municipalities and industrial applications. At its core is the patent pending VacWash™ cleaning process, which doesn't require filtered water to backwash the filtration media. This minimizes waste volumes, reduces power, and greatly simplifies the filtration process.

Because the filter media is made of cloth, it's lightweight and long lasting. It can be visually inspected while the filter operates and can be changed in less than an hour when the time comes. There's no need for expensive transportation or vacuum trucks. Plus, you don't have to work in a confined space to change it.

### APPLICATIONS

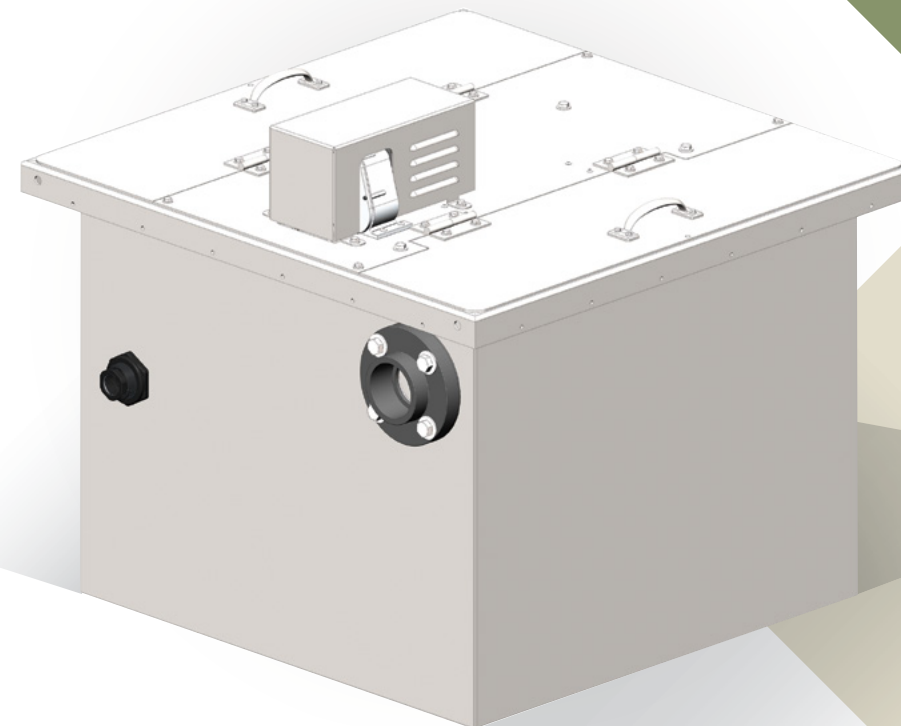
- Municipal Tertiary Filtration
- Wastewater Polishing
- Total Phosphorous Removal
- Primary Filtration
- Water Reuse
- Cooling Tower Side Streams
- MF/UF Pretreatment
- Algae Removal
- Aquaculture & Aquaponics

[And More](#)

up to  
**99.95%**  
WATER  
RECOVERY

GENERATES  
**500X LESS**  
BACKWASH WATER  
THAN SAND

as low as  
**30 KW\*HR /**  
1 MM GALLONS

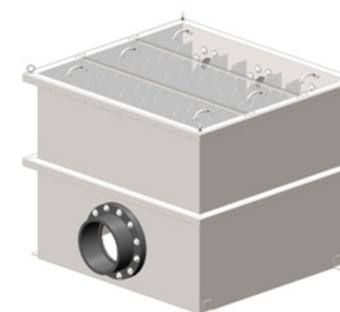


## Hassle-free maintenance

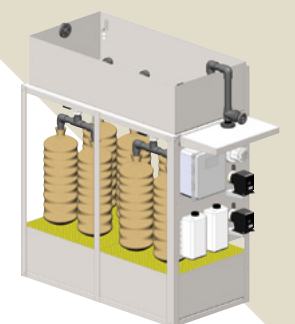
The filter is designed with QuickChange™ standardized subassembly components that allow most maintenance activities to be conducted in 15 minutes or less. No special skills or tools required.

### ADDITIONAL ACCESSORIES

**AquaPyr Splitter Boxes** provide reliable flow division between several AquaPyr Ultra Low Waste Filters or other water treatment processes.



**AquaPyr Batch Treatment and Dewatering (BTaD) Systems** are designed to treat wastewater and dewater solids from low flow waste streams.



# SIMPLE. RELIABLE. FILTRATION.

Balancing and managing backwash water in lower/intermittent flow water treatment processes is a waste of your time and money, but it doesn't have to be.

**Reduce** backwash water, lower costs & improve efficiencies.

**Eliminate** process weaknesses that lead to filter failures.

**Advance** environmental goals. Less power, less water, lower carbon footprint.

**Leverage** your O&M resources with a filter that is affordable in terms of dollars and man-hours.



## About AquaPyr®

AquaPyr® is anything but typical. That starts with the brand itself. Represented by a Great Pyrenees, we see ourselves as a watch dog of sorts—protecting water at every turn.

Ask about  
an on-site demo

1-713-999-AQUA (2782)  
info@aquapyr.com